



Translation of the original operating manual

TankQuick eco

Item-No.: 013896200, 013896210

Copyright

The operating manual is always to be read before commissioning the equipment. No warranty claim will be granted for faults and damage to the equipment arising from insufficient knowledge of the operating manual.

© HORN GmbH & Co. KG. All rights reserved.

Text, graphics and layout copyright protected. Reproduction and copying, including in part, only permitted with written permission. Technical changes reserved.

Service Hotline +49 1805 900 301

Reparatur Service +49 1805 900 302

(0,14 €/Min: on the German landline network, Mobile telephone max. 0,42 €/Min.)

service@tecalemi.de

Document-No.: 44 1657 101-H

Translation of: 44 1657 001-L

As of: February 12, 2020

Table of content

1	Safety instructions	4
2	Technical description	6
	2.1 Product description / Appropriate use	6
	2.2 Product versions	6
	2.3 Equipment	6
	2.4 Technical data	7
	2.5 Accessories	7
	2.6 Outline drawing	8
	2.7 Functional diagram	8
3	Installation	9
	3.1 Place of installation	9
	3.2 Change of location	9
	3.3 Compressed Air Supply	9
4	Commissioning	9
	4.1 Specifying the Liquid	9
	4.2 Operation with exchange containers	10
	4.2.1 Emptying the delivery systems	10
	4.2.2 Changing the drum	10
	4.3 Adjusting the Operating Pressure	10
5	Operation	10
	5.1 Safety instructions	10
	5.2 Removing Fuel	11
	5.2.1 Extracting fuel via the filler pipe	11
	5.2.2 Preparation of the hose set	11
	5.2.3 Extracting fuel via the fuel line	12
	5.3 Refilling the Vehicle with Fuel	13
	5.3.1 Preparation of the hose set	13
	5.3.2 Refilling	13
	5.4 Breaks in works	14
6	Servicing and maintenance	14
	6.1 Cleaning	14
	6.2 Container	14
	6.3 Dirt trap	15
	6.4 Pressure regulator	15
	6.5 Delivery system	15
	6.6 Wheels	15
	6.7 Type Plate and Warning Signs	15
	6.8 Troubleshooting	16
7	Spare parts	17
8	Disposal	18
9	Declaration of conformity	19

1 Safety instructions

This device was manufactured taking into account the relevant laws and directives for ensuring security as well as the protection of the environment and health. Despite this, its use may result in hazards for persons and material assets. Hence, it is essential that the instructions in this manual are complied with.

Warning notices and symbols

In this operating manual, the following symbols are used to point out especially important information:



Specific details on the economic use of the device.



Specific details and/or instructions for damage prevention.



Details and/or instructions for preventing injury to persons or extensive material damages

Intended use

Use the device only when it is in perfect working condition and only for its intended purpose while observing all safety precautions and risks. In particular, all malfunctions that could pose a safety hazard are to be corrected immediately.



The device and its components are intended for use exclusively with the liquids listed and only for the purpose described. Any other use or additional manner of usage is not intended.

Organizational measures



This operating manual is to be kept within easy reach at the place of operation. The nameplate and the warning labels on the device must be observed and kept completely legible at all times.

Qualified personnel



The personnel for installation, commissioning, operation, and maintenance of the device must possess the relevant and adequate qualifications for these tasks. The operator must ensure that the contents of this manual are fully understood and implemented by the personnel.

Maintenance and repairs



Do not make any changes, extensions and/or modifications to the device without the manufacturer's permission. Replacement parts must conform to the technical specifications defined by the manufacturer. For original parts, this conformity is always guaranteed.

Hazardous substances



In exceptional cases, the components of this device may contain hazardous substances. In accordance with the requirements of the European REACH regulation, we provide current information on this on our homepage, in the download section. Observe all safety regulations for the respective product when handling oils, greases, fuels and other chemical substances!

Hydraulics



Only personnel with special knowledge of and experience in hydraulics are allowed to perform work of any type on hydraulic equipment. Depressurize the device before performing any work on it. All pressure-bearing components are to be inspected regularly for leaks and damage.

Pneumatics



Only personnel with special knowledge of and experience in pneumatics are allowed to perform work of any type on pneumatic equipment. Depressurize the device before performing any work on it. All pressure-bearing components are to be inspected regularly for leaks and damage.

Explosion protection



The device has been constructed for use with potentially explosive substances. The design and production took place in accordance with prevailing regulations, in particular the ATEX directive 2014/34/EU and technical regulations. The operator is to observe all regulations for the operation of such devices, in particular the ATEX guideline 1999/92/EC and the respective regulations applicable at the place of operation.

Water protection



The device has been constructed for use with water contaminants. It is to be operated such that bodies of water cannot be polluted by it. All applicable regulations at the place of operation are to be complied with!

2 Technical description

2.1 Product description / Appropriate use

The TankQuick eco is a device for transferring fuel out of vehicle tanks into the device's own containers, and for returning it to the empty tank. It was specifically designed to be used in vehicle workshops, at filling stations and similar sites. It can be used for emptying the tanks of vehicles on which repairs are to be carried out, and for emptying tanks that have been wrongly filled.



This device is approved for use with potentially explosive liquids and for operation in potentially explosive atmospheres. The permissible type of use is specified by the Ex mark in the declaration of conformity and on the type plate. The device may be operated exclusively with the liquids listed below.

The device accords with the requirements of the applicable regulations, and in particular with ATEX (2014/34/EU). This is certified by the Declaration of Conformity and by the CE mark.

In addition the TankQuick has been subject to a GS-testing. The compliance of quality and safety standards in engineering, production and quality management has been approved. A regularly inspection by the testing authority is carried out. For verification the device is marked with the GS-label.

In operation, the pneumatic double-membrane pump sucks the fuel out of the tank, through the suction hose and into the container. The fuel is kept in the container while the work is carried out. After changing over the delivery hoses, fuel is discharged again from the container. The gas displacement device ensures that the gases displaced during filling do not escape to the open air.

The container delivered with the equipment is approved for the transport of the approved liquids and can be exchanged with no great effort.

2.2 Product versions

The TankQuick eco is available in two variants. They differ in the type of suction hose.

013 896 200 - TankQuick eco	Suction hose 15x9 mm
013 896 210 - TankQuick eco S	Suction hose 12x8 mm

2.3 Equipment

- Four-wheeled trolley with 2 lockable steering rolls
- 120 litre exchangeable container with level display
- Pump unit with delivery pump, fuel filter, compressed air regulator and starting valve
- Hose system with filler pipe adapter, emptying/refilling hose and gas displacement hose
- Accessories (optional): Adapter set for extraction via the fuel hose

2.4 Technical data

Dimensions	Height	approx. 1096 mm
	Width	approx. 483 mm
	Depth	approx. 680 mm
Empty weight	With container	approx. 35 kg
Noise emission	Free sound field, accuracy class 2, EN ISO 11201	68,2dB +2,5dB
Container	Volume	120l
	Useful volume	110l
Pump unit	Pumping capacity	approx. 7,5 l/min
Operating means		Compressed air, oil-free filtered
Compressed air inlet		min 6 bar, max. 10 bar
Permissible ambient temp.	Operation and breaks in work	5° ... 40° C
Permissible media temperature		5° ... 40° C
Pumping media		Petrol, diesel, E85 (ethanol fuel), others on enquiry

2.5 Accessories

The following items can be used as accessories depending on the application:

	Item-No.
Adapter set for extraction via the fuel line	020 202 011
Exchange drum with level display	013 896 300
Adapter for Mercedes C-Class	027 028 021

2.6 Outline drawing

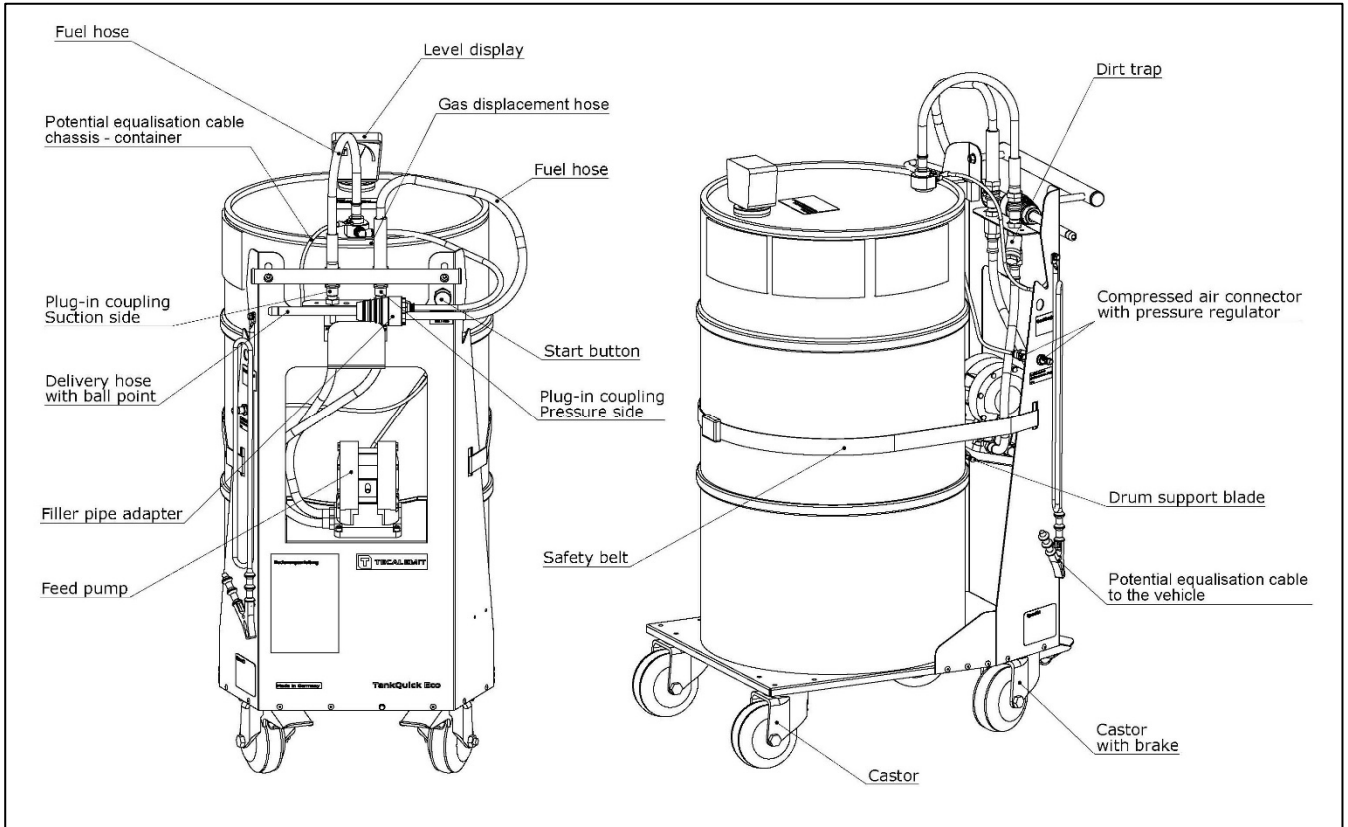


Figure 1

2.7 Functional diagram

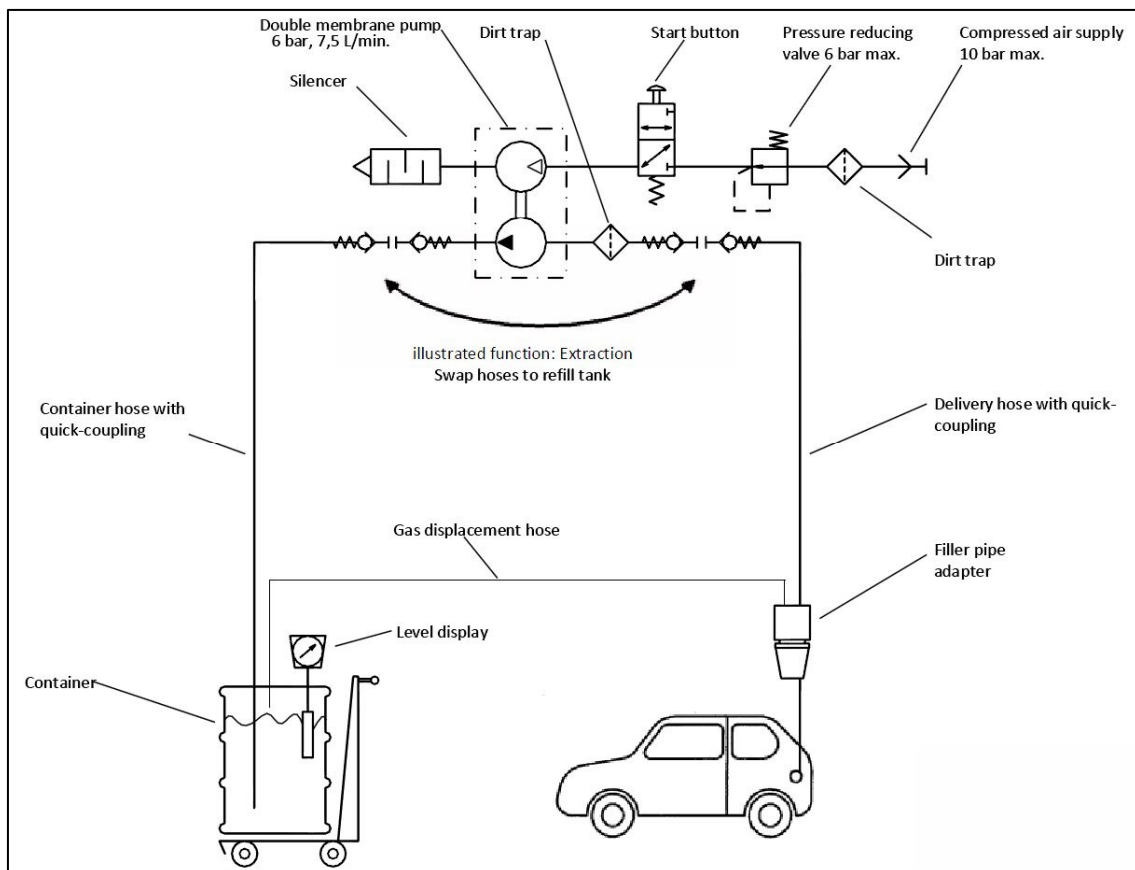


Figure 2

3 Installation

3.1 Place of installation

The TankQuick may only be used at sites such as petrol stations or workshops that have been properly set-up for such work. The place of installation must be chosen in such a way as neither to present danger to persons nor to pollute the environment. The following points must be observed:

- The device must be used in such a way that any spilt fuel is trapped, is noticed, and can be collected. It must therefore only be used and stored on a liquid-tight floor. Spilt drops must be collected immediately.
- In accordance with TRBS 3151, the area with a radius of approx. 0.2 m around the equipment is to be classified as Ex-zone 2. The device must therefore only be used in the open air or in well-ventilated rooms. The necessary explosive hazard protection measures must be taken.



In particular smoking, naked flames and working with tools that generate sparks are forbidden in the vicinity of the device.

- When not in use it must only be stored in rooms where people do not stay. Ensure good ventilation and that the temperature of the device will not rise.
- In order to disperse any static electric charge, the unit must not be placed on insulating surfaces.
- The place of installation must offer sufficient protection against unauthorised use.
- It must be kept where it is protected from damage by third parties, e.g. not close to the path of vehicles or working areas.
- The equipment is to be installed such that it is protected against influences of the weather and also protected against heating up (e.g. direct sunlight).

3.2 Change of location

When moving the TankQuick, it may be pushed / pulled exclusively by the handle of the trolley. When parking it must always be ensured that the wheel locks are applied securely.

3.3 Compressed Air Supply



Fault-free operation involving relatively little servicing is only ensured if the supply of compressed air is free from dirt, water condensation and oil.

The use of a compressed air filter with an automatic condensate drain by the user is to be greatly recommended.

An input pressure of at least 6 bar is necessary in order to reach the max. delivery flow rate.

4 Commissioning

4.1 Specifying the Liquid

Liquid residues will be found even when the container has been emptied. In order to ensure that there is no mixing of sorts, the medium for a device must be specified during commissioning (diesel, petrol or E85).



The operator is responsible for properly labeling the receptacles containing hazardous materials.

The hazardous material labels included in the scope of delivery can be used for this purpose.

4.2 Operation with exchange containers

The container supplied with the unit is an open head drum, authorized for dangerous goods transport of the approved medium (UN approval no.

UN1A1/X300/2010/DBAM1166-GDH). It can, for example, be changed for single variety use with different mediums. Only replacement drums with a filling level indicator, available as an accessory, may be used.

4.2.1 Emptying the delivery systems

A small quantity of fuel remains in the delivery system after operation.

In order to empty the system as completely as possible before exchanging the drum, the extraction procedure should be carried out for approx. 15 sec with the suction hose raised.

4.2.2 Changing the drum

In order to change the drum, dismount the drum connection, loosen the safety belt and lift the drum off the trolley.

Place the new drum on the trolley, press it against the support plate and secure it with the belt. Now mount the drum connection with fuel hose, gas displacement hose and potential equalisation cable.

Check that the drum is secured after changing the drum and regularly during use!

4.3 Adjusting the Operating Pressure



The internal operating pressure is limited via the device's own pressure regulator. It is preset in the factory to the max. permissible output pressure of 6 bar and fixed. The max. pumping capacity of the device is reached at this pressure. A higher output pressure is not possible.

However, the operating pressure can be reduced if necessary with the pressure regulator of the air supply system. For proper operation the input pressure may not fall below 2 bar.

5 Operation

5.1 Safety instructions

The device may only be operated by trained personnel and under constant supervision. The following points must be observed:

- Wear protective gloves when handling the TankQuick
- Inflammable fuels must only be put into containers that are suitable for this purpose.
-  • The engine and the external heating of the vehicle whose fuel is to be removed or returned must be switched off during operation.
- Suitable fire-fighting equipment must be to hand during operation (e.g. fire extinguishers)
- The wheels' contact with the ground ensures that static buildup is discharged. Hence, clean the wheels before operation if necessary.
-  • Emergency stop In the event of a malfunction or an emergency, operation can be stopped immediately by releasing the start button.

5.2 Removing Fuel

Check the filling level in the container before starting the extraction procedure.

! Avoid overfilling the container.

If overfilling should nevertheless occur, the excess pumping medium is fed back by the gas displacement hose to the vehicle tank and overfilling can be quickly recognised in the transparent gas displacement hose. The extraction procedure must then be stopped immediately.

Liquid can escape out of the level display if overfilling persists. This collects on the drum lid and can be disposed of afterwards. The level display is to be cleaned and its functional capability checked.

5.2.1 Extracting fuel via the filler pipe

As a rule the tank contents are extracted via the vehicle filler pipe.

5.2.2 Preparation of the hose set

The suction hose set can be used as in the delivery condition with the suction hose fed through the extraction adapter; see figure 3.

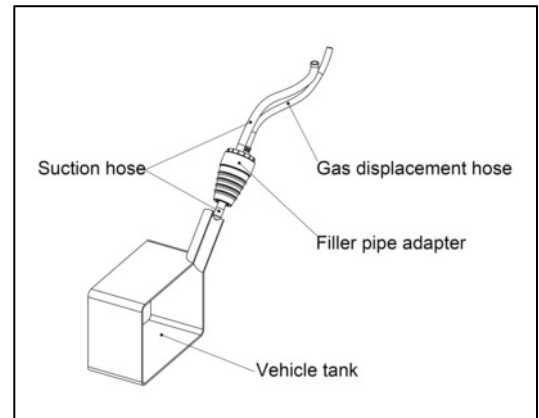


Figure 3

5.2.2.1 Extraction Procedure

1. Move the TankQuick to the vehicle from which the fuel is to be extracted and apply the parking brakes.
2. Attach the fastening clip of the potential equalisation cable to the vehicle.
3. Connect the delivery hoses for the 'extraction' operating mode - pay attention to the colour coding of the hoses:

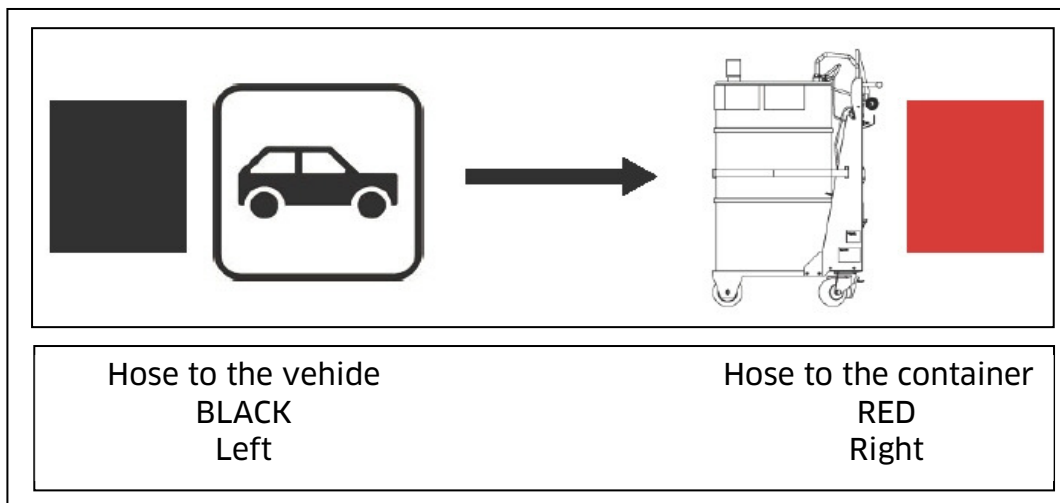


Figure 4

4. Feed the suction/refilling hose into the vehicle tank and mount the filler pipe adapter in the filler pipe.

! During operation the filler pipe adapter must extend into the filler pipe and be fixed securely!

5. Connect the compressed air.
6. Press the start button – the contents of the fuel tank are extracted.
The extraction procedure can be controlled via the pumping noise of the pump. It is possible that the pump may draw in air, even though the vehicle tank has not yet been fully emptied. In this case, the suction hose must either be pushed further into the tank or pulled further out of the tank through the gripper piece in the filler pipe. This should be done slowly and in short steps, since the suction hose must first be refilled with liquid. Only then it is possible to discern the pumping status of the pump.

! The tank level must be monitored during the extraction procedure in order to avoid overfilling.

7. After the extraction procedure is finished, allow the pump to run on briefly in order to empty the hoses, then disconnect the device from the compressed air supply.

5.2.3 Extracting fuel via the fuel line

Extraction takes place via a suction hose connected to the vehicle's fuel line. The adapter set, which is available as an accessory, is required for this.

! Extraction via the fuel line may take place only with the permission of the respective vehicle manufacturer!

5.2.3.1 Preparation of the hose set

The suction hose set must be mounted with the adapter set according to figure 5. The assembly instructions for the adapter set are to be followed.

1. Pull the suction hose out of the filler pipe adapter.
2. Fit the sealing plug into the free hole in the filler pipe adapter.
3. Screw the hose adapter into the thread of the ball point.

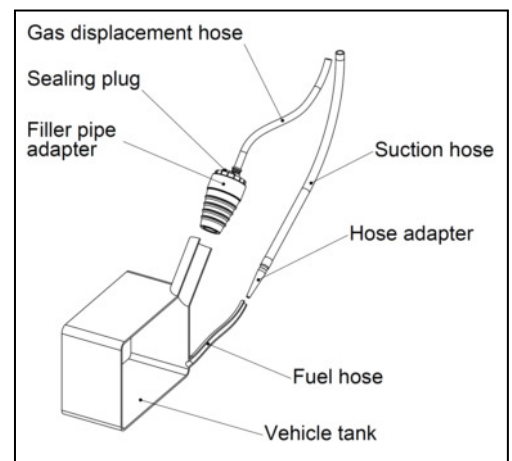


Figure 5

5.2.3.2 Extraction Procedure

1. Move the TankQuick to the vehicle from which the fuel is to be extracted and apply the parking brakes.
2. Attach the fastening clip of the potential equalisation cable to the vehicle.
3. Connect the delivery hoses for the 'extraction' operating mode; see fig. 4.
4. Mount the filler pipe adapter with the gas displacement line in the filler pipe.

! During operation the filler pipe adapter must extend into the filler pipe and be fixed securely!

5. Feed the hose adapter with the suction hose into the fuel line.
6. Connect the compressed air.
7. Press the start button – the contents of the fuel tank are extracted.
The extraction procedure can be controlled via the pumping noise of the pump.

! During operation the filler pipe adapter must extend into the filler pipe and be fixed securely!

8. If only air is still being sucked in by the pump, the extraction procedure can be terminated. Allow the pump to run on briefly in order to empty the hoses, then disconnect the device from the compressed air supply.
- 9.

5.3 Refilling the Vehicle with Fuel

Refilling the vehicle tank with fuel from the container may take place exclusively via the tank filler pipe.

! Refilling the tank via the fuel line is not permitted!

☞ In order to avoid over-filling, only the fuel that was removed from any particular vehicle should be returned to that vehicle.

5.3.1 Preparation of the hose set

The hose set is to be installed via the filler pipe as for extraction (see chapter 5.2.1).

5.3.2 Refilling

1. Bring the TankQuick to the vehicle that is to be refuelled, and lock the wheels.
2. Attach the fastening clip of the potential equalisation cable to the vehicle.
3. Connect the delivery hoses for the 'refilling' operating mode – pay attention to the colour coding of the hoses:

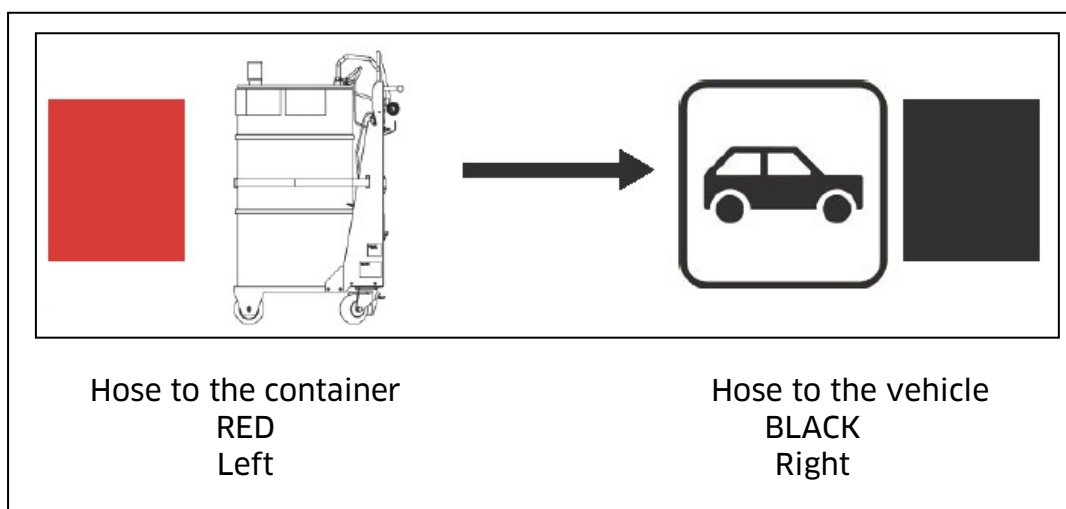


Figure 6

4. Feed approx. 20 cm of the suction/refilling hose into the vehicle tank and mount the filler pipe adapter in the filler pipe.

! During operation the filler pipe adapter must extend into the filler pipe and be fixed securely

5. Make the compressed air connection
6. Press the start button – the container contents are refilled into the tank.
7. To end the refilling procedure, release the start button and disconnect the device from the compressed air supply.

5.4 Breaks in works

The TankQuick is to be placed in special rooms during work breaks; see chapter 3.



The container on the device may be used exclusively for fuels in this particular work step and must accordingly be emptied again after max. 1 day.

If it is to be used for the storage of the extracted fuels, then the container must be removed from the device and placed in a suitable storeroom that complies with the regulations. The regulations applying to storage must be followed.

In order to ensure that the device works perfectly at all times, it should be emptied before breaks in work if at all possible. To do this, carry out the emptying procedure as described in the chapter “Refilling the Vehicle with Fuel” until only air exits from the dispensing hose.



The ambient temperature specified in the chapter “Technical data” must also be maintained during breaks in work.

6 Servicing and maintenance

6.1 Cleaning

Clean the equipment only from the outside with cold or lukewarm water. Do not use aggressive detergents or soap. If a water hose is used, do not direct the water jet onto the components at full pressure. Do not use steam-jet or high-pressure cleaners.

6.2 Container

The container may only be filled with flammable liquids when in perfect condition. It must be regularly checked for damages and corrosion.



A damaged container, or one which is not in perfect condition, may not be continued to be used under any circumstances!

6.3 Dirt trap

The dirt traps in the compressed air and delivery system are to be cleaned at regular intervals, examined for wear and renewed if necessary.

- Dirt trap on the suction side of the pump:
Undo the plug screw of the dirt trap and pull the sieve insert out in a downward direction.
- Dirt trap in the compressed air supply:
Unscrew the pin of the compressed air connection from the threaded connection of the pressure regulator. Unscrew the dirt trap from the connecting nozzle of the pressure regulator using a suitable tool (e.g. flat-blade screwdriver). Seal the joint when reassembling.

6.4 Pressure regulator

Proper function of the air pressure regulator must be checked at regular intervals.

6.5 Delivery system

The delivery system and in particular the delivery hoses are to be examined regularly for damage, check the couplings for leaks.

The metal sheathing of the delivery hoses ensures the dissipation of static electric charges.



Hoses without sufficient conductivity may not be used.

The connection of the wire mesh to the integrating parts must therefore be checked regularly; the continuity must be measured if necessary.

6.6 Wheels

The wheels of the TankQuick provide for potential equalisation to earth. They are also to be cleaned and inspected for damage regularly.

The TankQuick is not to be operated if conductive contact with the ground cannot be ensured.



Therefore, exclusively spare wheels procured from the manufacturer may be mounted!

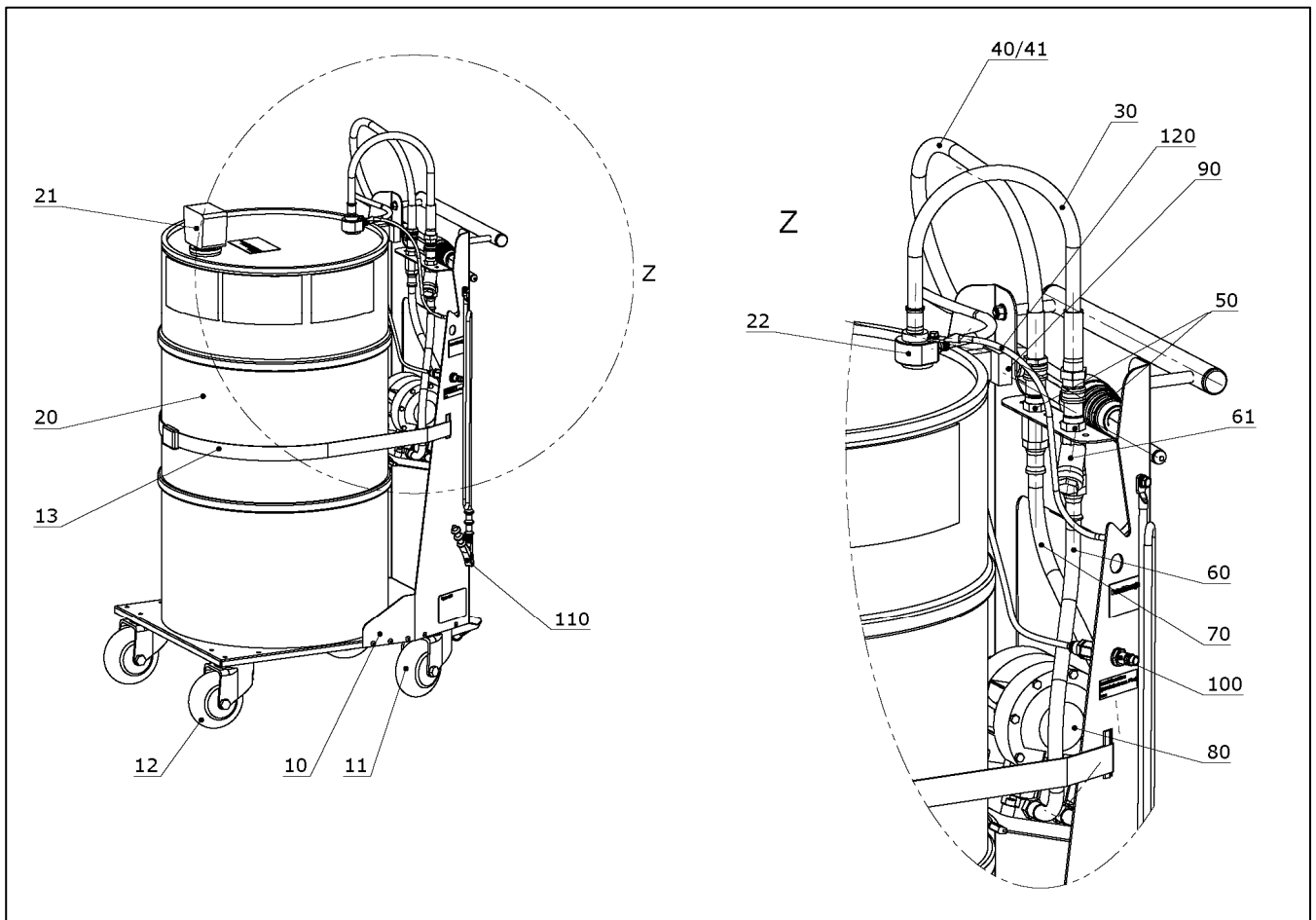
6.7 Type Plate and Warning Signs

- ! **The warning signs attached to the device and the type plate must be well legible. Dirty signs must be cleaned, and replaced if necessary.**

6.8 Troubleshooting

Fault	Possible cause	Action
Pump does not start	Compressed air not connected	Connect the compressed air supply and check the input pressure
	Start button not pressed	The start button must be kept pressed during operation
	Operating pressure too low - input pressure to low	The input pressure is of < 2 bar Check the adjustment of the pressure regulator of the air supply and switch to a higher input pressure
Low or no pumping capacity	Wrong pumping direction	Connect the delivery hoses according to the desired mode of operation (chapter 5)
	Difficult operating conditions	The pumping capacity is limited when extracting through winding filler pipes and with small suction hose cross-sections.
	Operating pressure too low - input pressure of the compressed air supply too low	Check the input pressure of the compressed air supply, the input pressure must exceed the desired operating pressure.
	Leak in the compressed air system	Examine the compressed air system for leaks, clean and replace damaged parts if necessary
	Dirt trap in the compressed air system is dirty	Remove the dirt trap from the pressure regulator and clean it (chapter 6.3)
	Silencer on the pump is dirty	Clean the silencer
	Dirt trap in the delivery system is dirty	Remove the sieve from the dirt trap and clean it (chapter 6.3)
	Suction line kinked or damaged	Check the fuel suction/refilling line for possible damage
Service life of the wearing parts of the pump exceeded	Return the pump for overhaul	

7 Spare parts



Pos.	Designation	Item no.
10	Chassis	516570001
11	Castor with brake - electrically conductive	491102900
12	Castor - electrically conductive	491103300
13	Safety belt	492000800
20	Barrel 120 Liter	816578001
21	Level display with barrel adapter	816578005
22	Barrel adapter with suction tube	816578009
30	Barrel hose with quick coupling	816578004
40	Delivery hose, quick coupling and tank adapter eco	816578003
41	Delivery hose, quick coupling and tank adapter eco s	816578002
50	Plug for quick coupling	422322400
60	Fuel suction hose	816578010
61	Dirt trap	409001500
70	Fuel pressure hose	816578011
80	Feed pump	432202700
90	Start button	816578006
100	Compressed air connection with pressure regulator	816578007
110	Potential equalisation cable to the vehicle	813740012
120	Potential equalisation cable chassis to barrel	816578021

8 Disposal

The device is to be emptied completely and the liquids properly disposed of in case it is taken out of service.

The equipment is to be disposed of properly when taken permanently out of service:



- Return old metal for recycling.
- Return plastic parts for recycling.
- Return electronic waste for recycling.

 **The water legal regulations are to be followed.**



**Konformitätserklärung
Declaration of Conformity**

Hiermit erklären wir, dass die Bauart
We herewith declare that the construction type

Bezeichnung: **Kraftstoff Umfüllgerät**
Designation: Fuel refilling device
Typ: **TankQuick eco / eco S**
Type:
Artikel-Nr.: **013896200, 013896210**
Item No.:

in der von uns gelieferten Ausführung folgenden einschlägigen Bestimmungen entspricht:
in the form as delivered by us complies with the following applicable regulations:

- Maschinenrichtlinie 2006/42/EG - ATEX-Richtlinie 2014/34/EU
Machinery safety 2006/42/EC ATEX-directive 2014/34/EU

Angewendete harmonisierte Normen:
Applied harmonised standards:

EN ISO 12100 EN 1127-1 EN ISO 80079-36 EN ISO 80079-37

Kennzeichnung des Geräts: II 2G Ex h IIA T3 Gb X
Labeling of the device:

Die technischen Unterlagen nach 2014/34/EU, Anhang VIII, Absatz 2, wurden bei einer benannten Stelle hinterlegt:
The technical documents provided in 2014/34/EU, Annex VIII, paragraph 2, have been deposited at a notified body:

Benannte Stelle / *Notified body:* IBExU (0637) Archivnr./*Archive no.:* 170/05

EG-Dokumentationsbevollmächtigter: Jörg Mohr Horn GmbH & Co. KG
EC official agent for documentation: Munketoft 42
24937 Flensburg

08.10.2019
Datum
Date

.....
i.V. Dipl.-Ing. Jörg Mohr
Entwicklungsleiter / *Engineering Manager*

HORN GmbH & Co. KG
Munketoft 42
D-24937 Flensburg
Germany

T +49 461 8696-0
F +49 461 8696-66
info@tecalemmit.de
www.tecalemmit.de

Geschäftsführer:
Torsten H. Kutschinski

Commerzbank AG
BLZ 215 400 60
Konto-Nr. 2476000

SWIFT COBADEFFXXX
IBAN DE33215400600247600000
Amtsgericht Flensburg HRA 4264
USt-IdNr. DE813038919

HORN GmbH & Co. KG

Munketoft 42
24937 Flensburg
Germany

T +49 461-8696-0
F +49 461-8696-66

www.tecalemit.de
info@tecalemit.de