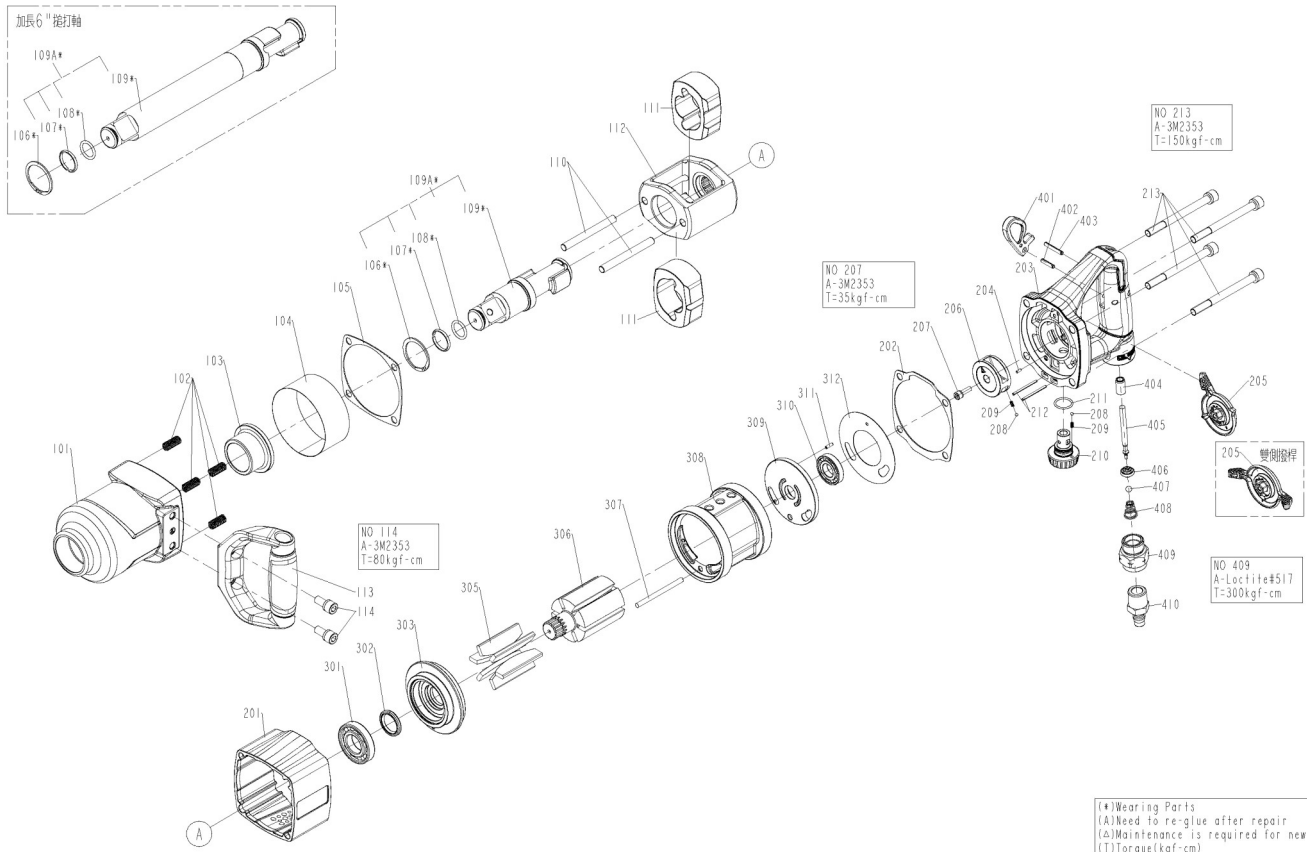


# APP271 - 1" Impact Wrench



IT4200-BI-E01-V1

Ref	PCL Part No	Description	Qty
101	APS271/101	Hammer case	1
102	APS271/102	Thread insert	1
103	APS271/103	Hammer case bushing	1
104	APS271/104	Steel ring	1
105	APS271/HGT	Hammer case gasket	1
106	APS271/106	Ex-concentric ring	1
107	APS271/107	Socket retainer	1
108	APS271/108	O-Ring	1
109	APS271/109	Anvil	1
109A	APS271/109A	Anvil unit	1
110	APS271/110	Hammer pin	2
111	APS271/111	Hammer	2
112	APS271/112	Hammer frame	1
113	APS271/113	Handle unit	1
114	APS271/114	Bolt assembly	2
201	APS271/201	Housing	1
202	APS271/202	Rear cover gasket	1
203	APS271/203	Rear cover unit	1
204	APS271/204	Pin	1
205	APS271/205	Reverse button kit	1
206	APS271/206	Reverse valve	1
207	APS271/207	Bolt assembly	1
208	APS271/208	Steel ball	1
209	APS271/209	Spring	1

Ref	PCL Part No	Description	Qty
210	APS271/210	Regulator	1
211	APS271/211	O-Ring	2
212	APS271/212	Spring	4
213	APS271/213	Bolt assembly	1
301	APS271/301	Bearing	1
302	APS271/302	Oil seal	1
303	APS271/303	Front bearing plate	6
305	APS271/RBS	Blades	1
306	APS271/306	Rotor	1
307	APS271/307	Pin	1
308	APS271/308	Cylinder	1
309	APS271/309	Rear end plate	1
310	APS271/310	Bearing	1
311	APS271/311	Spring pin	1
312	APS271/312	Rear cover gasket	1
401	APS271/401	Trigger	1
402	APS271/402	Spring pin	1
403	APS271/403	Spring pin	1
404	APS271/404	Bushing	1
405	APS271/405	Pin	1
406	APS271/406	Seal	1
407	APS271/407	Ball	1
408	APS271/408	Spring	1
409	APS271/409	Air inlet	1